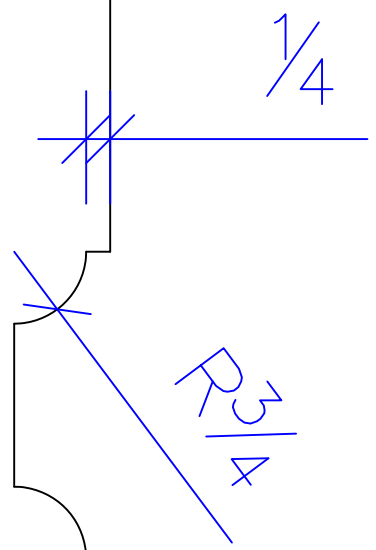
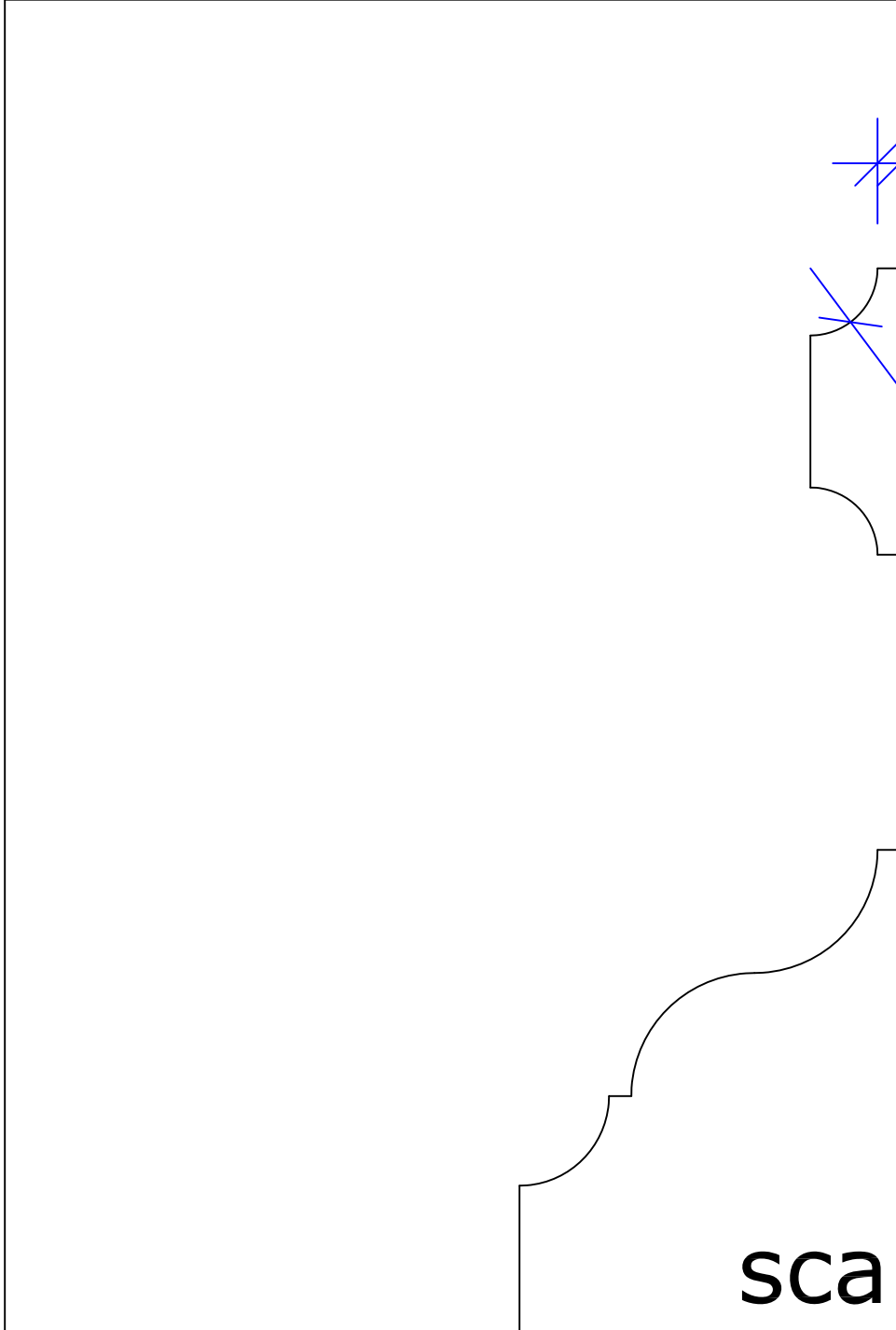
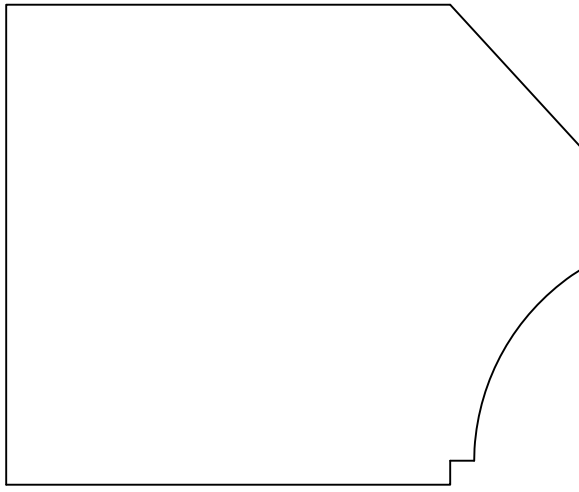


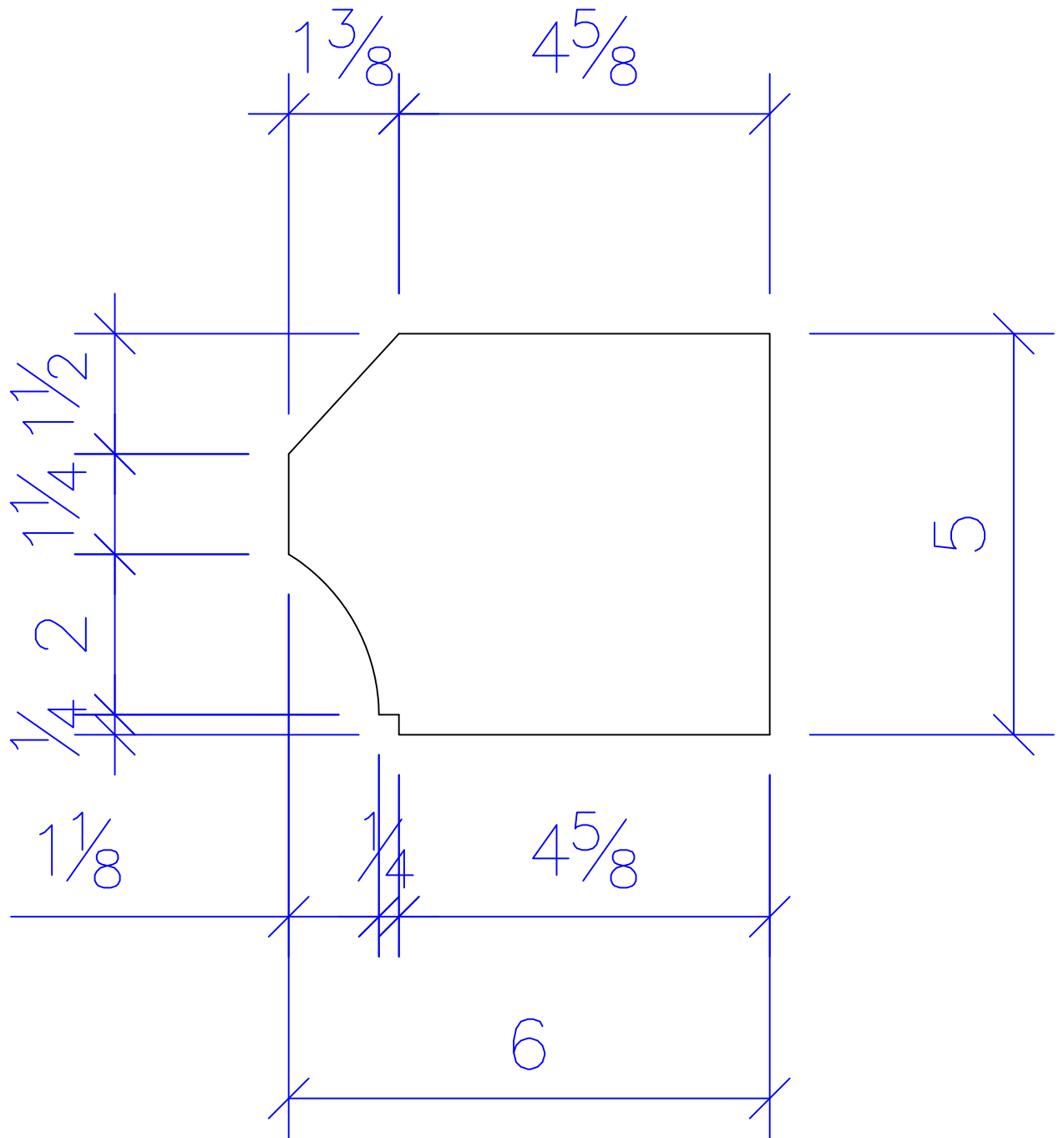
A



scale 1:2

section B

scale 1:2



scale 1:4

section C

